
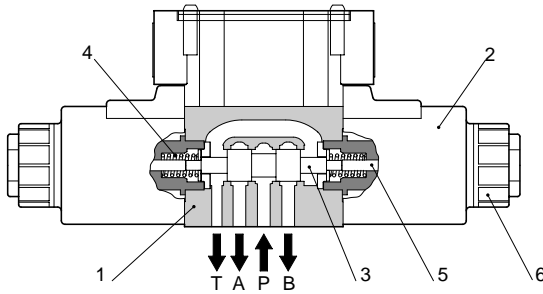


<p>Size 6 up to 315 bar up to 63 L/min</p>	<p>Directional Spool Valve Sub-plate Mounted Type DE6, Series 20</p>	<p>Data Sheet <a href="#">D-1001/10.98</a> GB</p>
<p><b>Features</b></p> <ul style="list-style-type: none"> <li>◇ Direct operated directional spool valve with solenoid operation.</li> <li>◇ High durability.</li> <li>◇ Various options.</li> <li>◇ Oil immersed type valve with no oil leakage from solenoid pin.</li> <li>◇ Porting pattern to DIN 24 340 form A ISO 4401 and CETOP-RP 121H.</li> <li>◇ Wet pin AC &amp; DC solenoids with removable coil.</li> <li>◇ Individual electrical connection and central connections.</li> <li>◇ Manual override (standard).</li> <li>◇ Solenoid coil can be rotated through 90°.</li> <li>◇ Coils can be replaced without releasing any fluid.</li> </ul> <div data-bbox="620 240 1037 491" data-label="Image"> </div>		
<p>Model DE6</p>	<p>Page 1.17</p>	<p>Data Sheet D-1001/10.98</p>
		



Valve DE6

**Functional Description**

Type DE6 Directional Spool Valves are solenoid operated directional spool valves that are used to control (start, stop and direction) fluid flow.

The valves basically comprise a housing (1), one or two solenoids (2), a control spool (3), and two springs (4).

When de-energised, the control spool (3) is held by the return springs (4) in a central or in the initial position (except for detented spools). The control spool (3) is actuated via wet pin solenoids (2).

**Note:** The pressure chamber must be filled with oil to ensure trouble free operation.

The force of the solenoid (2) acts on the plunger (5) causing the control spool (3) to move from its rest position to its desired end position. Thus, the required flow pattern from P to A and B to T or P to B, and A to T is selected.

A manual override (6), (standard), is provided for emergency operation of the control spool (3) without energising the solenoid.

**Type DE 6..20 - 0\*\*** (only with spool type 001, 003 and 004) - directional valve with 2 switching positions and 2 solenoids without detent, and no defined switching position in the de-energised condition.

**Type DE 6..20 - 1\*\*** (detent spool only with spools type 101, 103 and 104) - directional valve with 2 switching positions, 2 solenoids and a detent. Relevant switching positions are fixed and continuous solenoid energization is not necessary.


**Throttle Inserts** (type DE6..20..-P) - throttle inserts are required, if, due to the operating conditions, flows are expected to be higher than the stated maximum performance limits of the valve. Throttle inserts are inserted in the P channel of the directional valve.



Model DE6
--------------

Page 2.17
--------------

Data Sheet D-1001/10.98
----------------------------

Ordering Code – Directional Spool Valve, Direct Operated																																	
DE	6	P	20	1	04	W	D	24	AL	PO8	V																						
<b>Directional Valve, Solenoid Operated</b>			<b>Size</b> 6			<b>Type of Mounting</b> P: Sub-plate Mounting			<b>Suitable Oil</b> No Code: Mineral Oil, Fatty Acid Ester, Water Glycol V: Phosphate Ester																								
<b>Spool Return</b> 0: 2-position without Spring Return 1: 2-position without Spring Return with detent 2: 2-position with Spring Return <b>OR</b> 3-position with Spring Return			<b>Series Number</b> 20			<b>Plug-in Throttle in P Port</b> No code No plug-in throttle P08: ∅0.8 mm P10: ∅1.0 mm P12: ∅1.2 mm P15: ∅0.8 mm P20: ∅2.0 mm P25: ∅0.8 mm P30: ∅3.0 mm P40: ∅4.0 mm			<b>Electrical Connections</b>																								
<b>Spool Types</b> See spool symbols			<b>Solenoid Type</b> W: Wet pin solenoids (with manual overrides)			<b>Electrical supply</b> A: Alternating current (AC) D: Direct current (DC) R: Independent of frequency with built-in rectifier for AC																											
<b>Voltage</b> 12: 12V 24: 24V 100: 100V 200: 200V			<table border="1" style="width: 100%; border-collapse: collapse; text-align: center;"> <thead> <tr> <th rowspan="2" style="text-align: left;">Code</th> <th rowspan="2" style="text-align: left;">Function</th> <th colspan="3">Electrical supply</th> </tr> <tr> <th>A</th> <th>D</th> <th>R</th> </tr> </thead> <tbody> <tr> <td>AL</td> <td>Central terminal and lamp</td> <td>0</td> <td>0</td> <td>0</td> </tr> <tr> <td>B</td> <td>Angled plug to DIN 43650</td> <td>0</td> <td>0</td> <td>-</td> </tr> <tr> <td>C</td> <td>Large angled plug</td> <td>0</td> <td>0</td> <td>0</td> </tr> <tr> <td>CL</td> <td>Large angled plug with lamp</td> <td>0</td> <td>0</td> <td>-</td> </tr> </tbody> </table>			Code	Function	Electrical supply			A	D	R	AL	Central terminal and lamp	0	0	0	B	Angled plug to DIN 43650	0	0	-	C	Large angled plug	0	0	0	CL	Large angled plug with lamp	0	0	-
Code	Function	Electrical supply																															
		A	D	R																													
AL	Central terminal and lamp	0	0	0																													
B	Angled plug to DIN 43650	0	0	-																													
C	Large angled plug	0	0	0																													
CL	Large angled plug with lamp	0	0	-																													
Model DE6			Page 3.17			Data Sheet D-1001/10.98																											

<b>Spool types</b>			
<b>2-Position Valve</b>			
<b>Spool return</b>	<b>Spool type</b>	<b>Hydraulic Symbol</b>	<b>Transient condition</b>
Spring Return	201		
	203		
	204		
	202		
	225		
	001		
Without spring return	003		
	004		
	101		
Without spring return with detent	103		
	104		
	<p><b>⚠ Attention!</b> -Take the pressure intensification into account when using differential cylinders!</p>		
Model DE6	Page 4.17	Data Sheet D-1001/10.98	

Spool types (continued)			
3-Position Valve			
Spool return	Spool type	Hydraulic Symbol	Transient condition
Spring Return	205		
	206		
	207		
	208		
	210		
	212		
	213		
	216		
	217		
	221		
	222		
	223		
<p><b>⚠ Attention!</b> -Take the pressure intensification into account when using differential cylinders!</p>			
Model DE6	Page 5.17	Data Sheet D-1001/10.98	



Spool types (continued)			
3-Position Valve (using one switching position)			
Spool return	Spool type	Hydraulic Symbol	Transient condition
	205A		
	205B		
	206A		
	206B		
	207A		
	207B		
	208A		
	208B		
	210A		
	210B		
<p><b>⚠ Attention!</b> -Take the pressure intensification into account when using differential cylinders!</p>			
<p>Model DE6</p>		<p>Page 6.17</p>	<p>Data Sheet D-1001/10.98</p>



**Technical Data (continued)****Electrical**

Type of Voltage	DC	AC
Available Voltages	12, 24	100, 200
Voltage Tolerance (nominal voltage)	±10%	±10%
Power Consumption	30 W	-
Holding current	-	50 VA
Startup current	-	240 VA
Duty Cycle	100%	100%
Switching Time	ON: 45 mS OFF: 20 mS	ON: 15 mS OFF: 25 mS
Switching Frequency	Up to 18,000 cycles/hour	Up to 18,000 cycles/hour
Insulation to DIN 40 050	IP65	IP65
Coil Temperature	Up to 180°C	Up to 180°C

Note: With electrical connections the earth (PE) must be correctly connected.

Model  
DE6

Page  
8.17

Data Sheet  
D-1001/10.98



**Kawasaki**  
Hydraulic Products

**Switching Data for AC solenoid Valve**

Note: The maximum flow VS frequency and voltage in the tables are as follows:

Independent of frequency and voltage →	63	63	← 50Hz, nominal voltage
		(25)	← 50 Hz, 80% of nominal voltage
		58	← 60Hz, nominal voltage
		(20)	← 60Hz, 90% of nominal voltage

**Three Position valves**

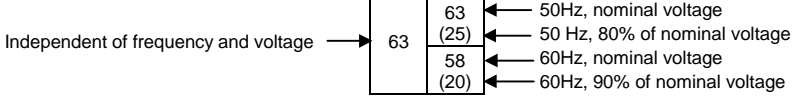
Maximum flow (L/min)																
Spool type	Direction P - A - B - T Of flow P - B - A - T					Direction P - A Of flow					Direction P - B Of flow					
	Operating pressure (bar)					Operating pressure (bar)					Operating pressure (bar)					
	50	100	160	250	315	50	100	160	250	315	50	100	160	250	315	
205	63	63	63	63	63	63	62	63	50	40	63	62	63	50	40	
						(30)	(23)	(15)	(10)	(10)	(30)	(23)	(15)	(10)	(10)	
208	63	63	63	63	63	45	33	20	13	13	45	33	20	13	13	
						(25)	(18)	(10)	(5)	(5)	(25)	(18)	(10)	(5)	(5)	
210	63	63	63	63	63	63	63	63	63	55	63	63	63	63	55	
						(48)	(25)	(23)	(20)	(13)	(10)	(25)	(23)	(20)	(13)	(10)
223	63	63	63	63	63	63	58	48	35	20	13	58	48	35	20	
						(43)	(20)	(18)	(15)	(8)	(5)	(20)	(18)	(15)	(8)	(5)
227	63	63	63	63	63	63	62	63	50	40	63	62	63	50	40	
						(30)	(23)	(15)	(10)	(10)	(30)	(23)	(15)	(10)	(10)	
207	45	43	40	40	-	45	43	40	40	-	45	43	40	40	-	
						(25)	(18)	(10)	(5)	(5)	(25)	(18)	(10)	(5)	(5)	
213	63	63	63	63	63	28	20	15	10	10	28	20	15	10	10	
						(33)	(25)	(20)	(10)	(18)	(33)	(25)	(20)	(10)	(18)	
221	63	63	63	63	63	63	63	63	63	63	63	63	63	63	63	
						(38)	(30)	(25)	(15)	(13)	(38)	(30)	(25)	(15)	(13)	
212	63	63	63	63	63	63	45	30	20	15	63	45	30	20	15	
						(33)	(25)	(20)	(10)	(18)	(33)	(25)	(20)	(10)	(8)	
212	63	63	63	63	63	63	63	63	63	63	63	63	63	63	63	
						(30)	(28)	(23)	(18)	(15)	(30)	(28)	(23)	(18)	(15)	
212	63	63	63	63	63	63	35	25	18	15	63	35	25	18	15	
						(25)	(23)	(18)	(13)	(10)	(25)	(23)	(18)	(13)	(10)	



Model DE6	Page 9.17	Data Sheet D-1001/10.98
--------------	--------------	----------------------------

**Switching Data for AC solenoid Valve (Continued)**

Note: The maximum flow VS frequency and voltage in the tables are as follows:



**Two Position valves**

Maximum flow (L/min)															
Spool type	Direction P - A - B - T Of flow P - B - A - T					Direction P - A Of flow					Direction P - B Of flow				
	Operating pressure (bar)					Operating pressure (bar)					Operating pressure (bar)				
	50	100	160	250	315	50	100	160	250	315	50	100	160	250	315
204	63	63	63	63	63	63	63	63	63	63	63	63 (55)	63 (50)	63 (50)	63 (45)
												63 (50)	63 (45)	63 (45)	63 (40)
203	63	63	63	63	63	50	50	50	50	50	63 (55)	63	63	63	63
		63 (60)	63 (60)	63 (60)	63 (60)							63 (55)	63 (55)	63 (55)	63 (55)
201	-	-	-	-	-	25	13	10	10	10	63 (28)	63 (25)	63 (20)	63 (13)	50 (10)
											63 (32)	35 (23)	23 (15)	15 (8)	10 (5)
104	63	63	63	63	63	45	45	45	45 (35)	45 (25)	45	45	45	45 (35)	45 (25)
									45 (30)	30 (20)				45 (30)	30 (20)



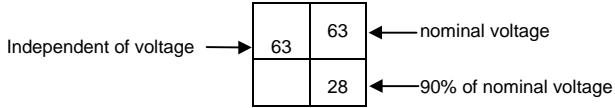
Model  
DE6

Page  
10.17

Data Sheet  
D-1001/10.98

**Switching Data for DC solenoid and AC/DC solenoid Valves**

Note: The maximum flow VS voltage in the tables are as follows:



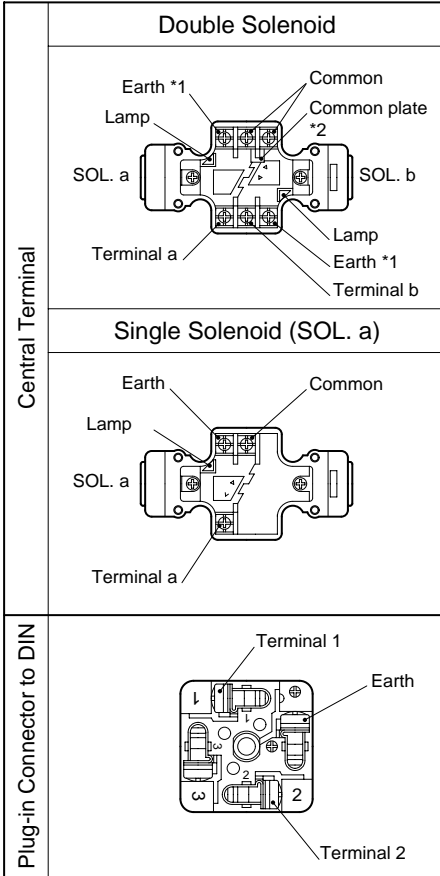
**Three Position valves**

Maximum flow (L/min)															
Spool type	Direction P - A - B - T Of flow P - B - A - T					Direction P - A Of flow					Direction P - B Of flow				
	Operating pressure (bar)					Operating pressure (bar)					Operating pressure (bar)				
	50	100	160	250	315	50	100	160	250	315	50	100	160	250	315
205	63	63	63	63	63	45	30	20	15	13	45	30	20	15	13
						33	23	15	10	10	33	23	15	10	10
208	63	63	63	63	63	63	63	63	63	63	63	63	63	63	63
210	63	63	63	63	35	63	45	35	30	28	63	45	35	30	28
				28	23	50	30	23	15	13	50	30	23	15	13
223	63	63	63	63	63	45	30	20	15	13	45	30	20	15	13
						33	23	15	10	10	33	23	15	10	10
207	45	43	40	40	-	45	43	40	40	-	45	43	40	40	-
213	63	63	63	63	63	28	20	15	10	10	28	20	15	10	10
221	63	63	63	63	45	63	45	55	40	28	63	55	40	28	20
				33	23		23	40	28	13		40	28	18	13
212	63	63	63	63	38	63	60	40	25	20	63	60	40	25	20
				30	23		38	28	20	15		38	28	20	15
204	63	63	63	63	63	20	18	18	18	18	63	58	40	30	50
	53	53	53	53	53							40	28	25	25
203	38	38	38	38	38	48	48	45	45	40	63	63	63	63	63
	28	28	28	28	28							45	40	40	40
201	-	-	-	-	-	25	13	10	8	8	63	48	28	15	15
												30	20	13	10
104	63	63	63	63	63	45	45	45	40	30	45	45	45	40	30
	58	55	55	55	55				30	25				30	25

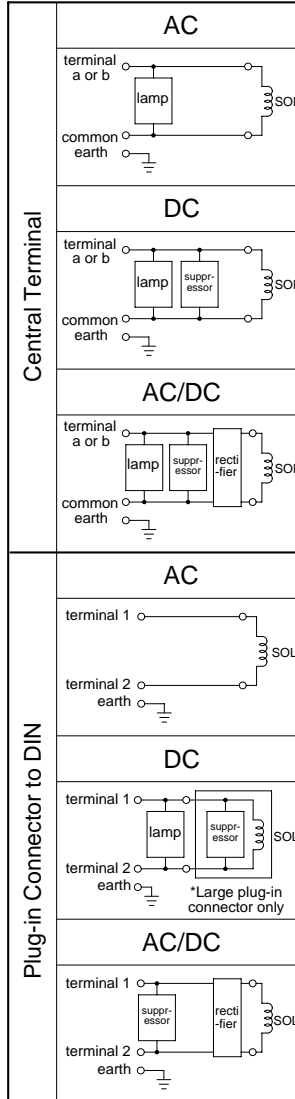


Model DE6	Page 11.17	Data Sheet D-1001/10.98
--------------	---------------	----------------------------

Valve wiring details



Note: \*1. Either earth terminal can be used.  
 \*2. When common plate is unnecessary (4 wires for 3 solenoids), it can be removed.  
 \*3. No polarity in DC solenoid.



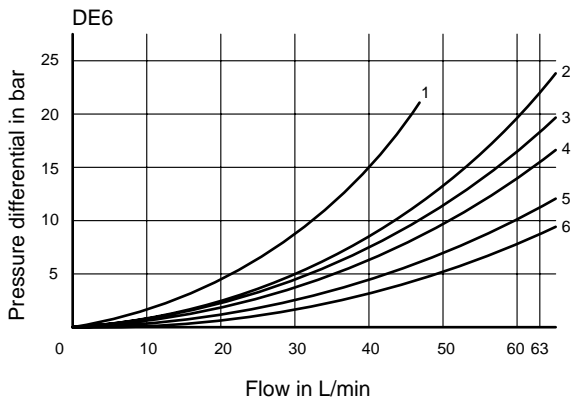
Model  
DE6

Page  
12.17

Data Sheet  
D-1001/10.98

**Characteristic Curves**

Measured at  $v = 36\text{cSt}$  and  $t = 50^\circ\text{C}$



Spool type	Direction of flow				
	P → A	B → T	P → B	A → T	P → T
205	5	5	5	5	-
208	6	6	6	6	4
210	5	6	5	6	-
223	5	5	5	5	-
207	1	1	1	1	4
213	6	5	6	5	-
221	5	6	5	5	-
212	5	5	5	6	-
104	5	2	5	2	-
204	2	2	5	5	-
203	3	3	5	6	-
201	5	-	5	-	-

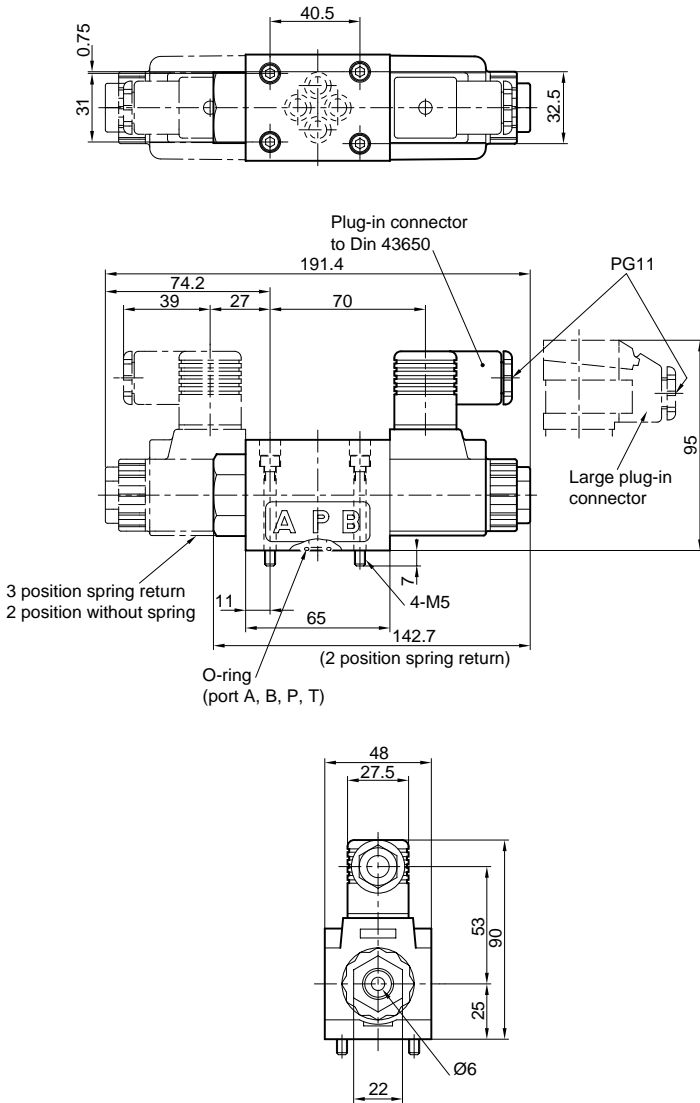


Model  
DE6

Page  
13.17

Data Sheet  
D-1001/10.98

**Unit Dimensions – Plug-in connector- AC solenoid (dimensions in mm)**

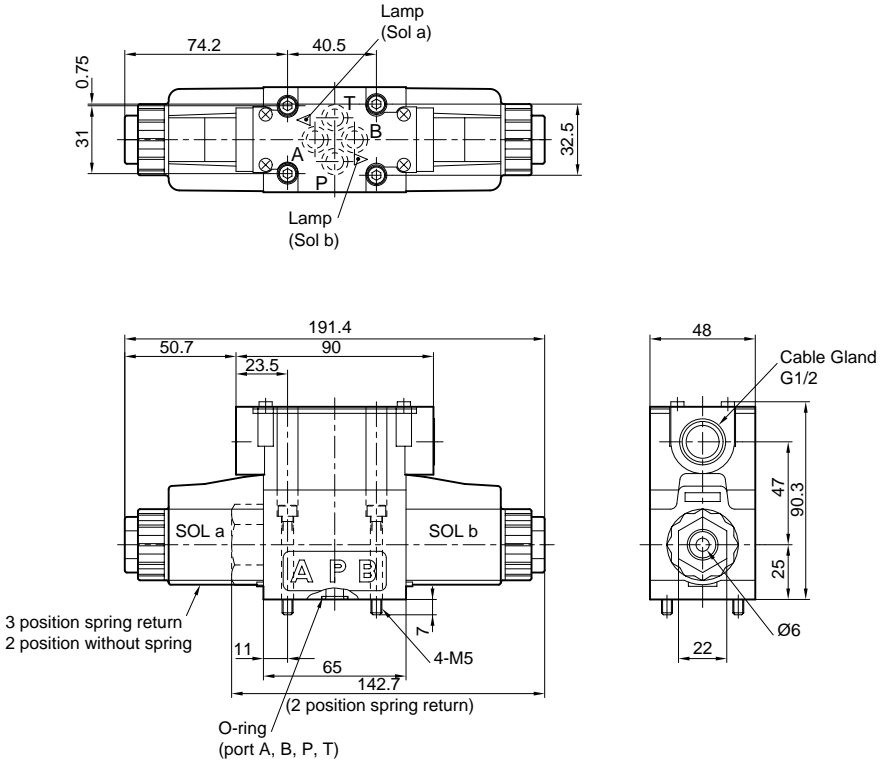


Model DE6
--------------

Page 14.17
---------------

Data Sheet D-1001/10.98
----------------------------

Unit Dimensions – Central Terminal- AC solenoid (dimensions in mm)



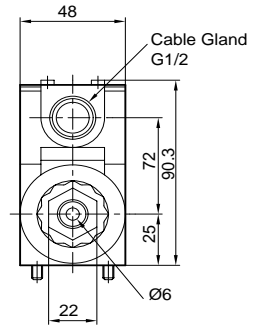
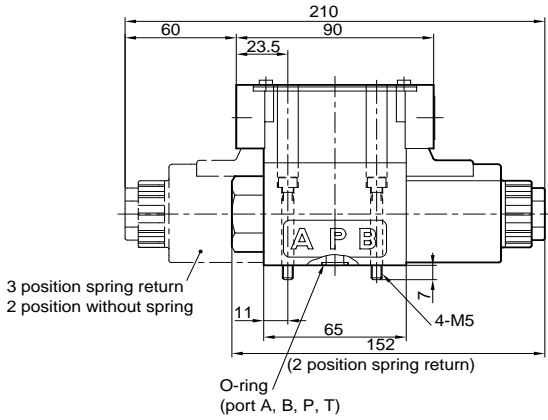
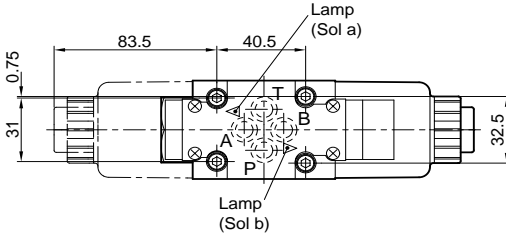
Model  
DE6

Page  
15.17

Data Sheet  
D-1001/10.98



Unit Dimensions – Central terminal, DC, AC/DC Solenoid (dimensions in mm)



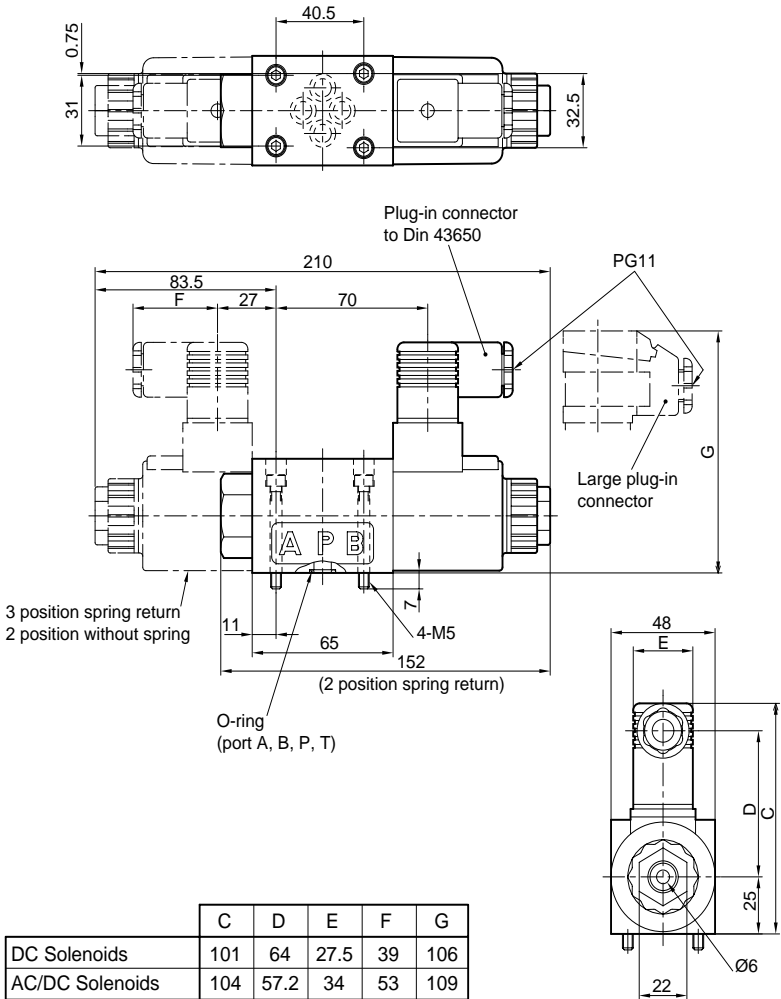
Model  
DE6

Page  
16.17

Data Sheet  
D-1001/10.98



**Unit Dimensions – Plug-in connector, DC, AC/DC Solenoid (dimensions in mm)**



KAWASAKI PRECISION MACHINERY (UK) LTD  
 Ernesettle, Plymouth, Devon, PL5 2SA, England  
 Tel: +44 1752 364394 Fax: +44 1752 364816  
 E Mail: info@kpm-uk.co.uk

The specified data is for product description purposes only and may not be deemed to be guaranteed unless expressly confirmed in the contract

ALL RIGHTS RESERVED, SUBJECT TO REVISION

Model  
DE6

Page  
17.17

Data Sheet  
D-1001/10.98

